

Canaletas
SOURCE OF LIFE



JetVanguard

Hands-free or push button drinking fountains

Hygienic and practical solution for drinking directly or filling bottles

Superior quality, made entirely from stainless steel, including the internal chassis.



Internal chassis
WARRANTY

Robust, elegant and convenient solution for drinking directly or filling bottles. With pedals or sensors (optional with push buttons).

- To fill bottles

Designed to fill bottles and eliminate the use of plastic cups. Fully integrated faucet in the dispensing area. Hidden water faucet for optimal hygienic protection. LED front sensor for bottle detection. For safety reasons the water will only dispense from the bottle filler when the bottle is placed in front of the sensor (patented). For more safety, timed flow valves prevent faucet being left running and wasting water.

- To drink from the bubbler

Perfect solution to drink directly when no bottles are available. Easy to use. Patented hygienic bubbler design.

Strong stainless steel pedals. Vandal-resistant allen screws. Top plate cannot be removed.

Models

J-66 2PE

Pedal: cold water
Pedal: room temperature water
Both pedals simultaneously: mixed water



J-6PE

Pedal: cold water



J-60P

Sensor: cold water

J-6PU

Push button: cold water



J-66 20P

Two sensors: cold and room temperature
Both sensors: mixed water

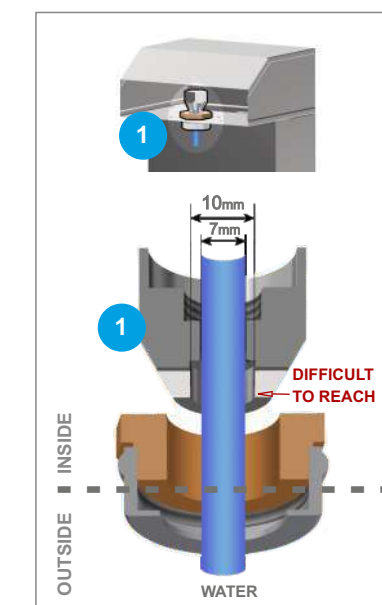
J-66 2PU

Two push buttons: cold and room temp.
Both push buttons: mixed water



Bubbler and faucet: hygienic design

Water jet separated from walls. Difficult to reach with fingers.



Accessories



PURIFICATION FILTERS

It is recommended to install a purifying filter to obtain water in optimal conditions. Different options available: Activated carbon, Sediment, Ultraviolet, Ultrafiltration or Direct osmosis.

Technical data

Cooling Power (W)	400
Power consumption (W)	200
Voltage 230V 50Hz single-phase (A) (Consult other options)	0.9
Cooling capacity (Room temp.: 30°C, Input temp.: 27°C, Output temp.: 17°C) (l/h)	35
Cold water output temperature (Regulated by thermostat) (°C)	4-11
Water tank capacity (l) (Optional: Stainless steel coil. Direct chill)	4.5
Refrigerant gas (CFC-free)	R-290
Dimensions (mm). Height x Width x Depth.	1503 x 455 x 350
Net weight (kg)	37