

Gel Holder

Gel holder accessory

Support for disinfectant gel on your Canaletas drinking fountain

Made from stainless steel



Gel holder

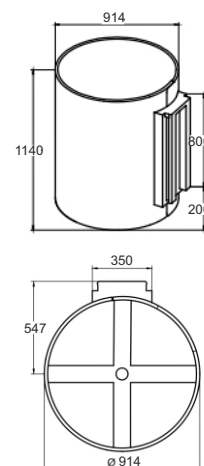
Accessory compatible with your Canaletas water coolers and drinking fountains.
Maximum hygiene when drinking water.

For easy access to disinfectant gel before and after using the drinking water fountains by hand. It can be attached very easily to new or already installed water coolers and drinking fountains, or to the wall if you prefer. Made from stainless steel. Compatible with most gel dispensers on the market.

*except bottle water coolers and Fonlife drinking fountains

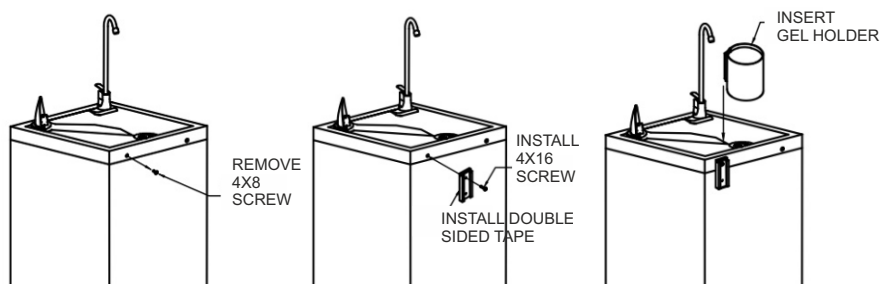
Measurements:

Measurements: 1140mm (height) and 914mm (diameter).

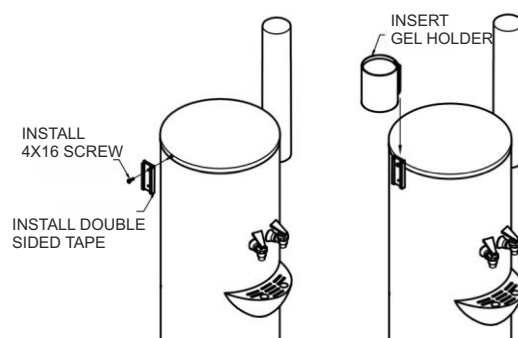


Installation instructions:

To attach it, just remove one of the screws from the water fountain and install the Gel holder at this point (the necessary pieces are supplied).



The Gel holder accessory can replace the current cup holder or be attached to the other side of the water fountain.



UNE 149101

HEADQUARTERS AND FACTORY

Ronda de Llevant, 10
08820 El Prat de Llobregat
Barcelona (Spain)
T. +34 934 358 546
F. +34 934 350 604

INTERNET

www.canaletas.es
www.canaletas.com
info@canaletas.es

Canaletas
SOURCE OF LIFE