

Canaletas
SOURCE OF LIFE



Series 6 & 8 Hands free

Series 6 & 8 Hands free

Drinking fountains.

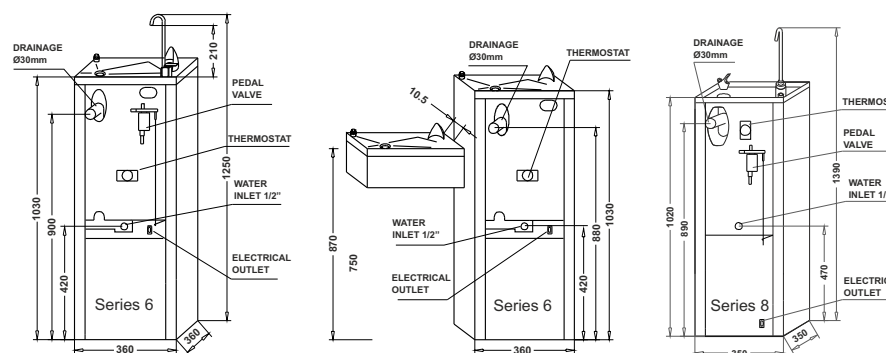
Hands free models - a safe and hygienic solution.

Superior quality, made entirely from stainless steel, including the internal chassis.

Canaletas
SOURCE OF LIFE

Installation by means of three basic connection points.

The installation of a purification filter is highly recommended for better water quality.



Internal chassis
WARRANTY

Series 6

To drink from the water jet or fill up bottles only by pressing the pedal or standing in front of the sensor.

Models activated with a large, robust stainless steel pedal or automatically by a remote sensor control for greater convenience. Increased hygienic protection for the water jet through a special shell with anti-vandalism shield. The LV model is designed for filling small bottles or cups using the pedal. Drinking fountains with larger dimensions, providing high stability and durability. The water jet height can be easily regulated using the high precision membrane valve. Possibility of installing the GAC filter on the inside for a more compact installation.

Models



M-6ALVPE
- Cold glass or bottle filler.
- Pedal.



M-6APE
- Cold water jet.
- Pedal.



M-2APE
- Room temp. water jet.
- Pedal.



M-6AOP
- Cold water jet.
- Proximity sensor.



M-6APEMV (Special model for disabled)
- Cold water jet.
- Free standing fountain water jet: pedal
- Disable MV Accessory: proximity sensor.



M-8APE
- Swan-neck for cold water.
- To fill bottles.
- Pedal.

Accessories



PURIFICATION FILTERS :

It is recommended to install a purifying filter to obtain water in optimal condition. Options for Ultraviolet or Ultrafiltration.

REUSABLE BOTTLES :

Reusable bottles 500 ml.

Technical data

	Series 6	Series 8
Cooling Power (W)	400	600
Power consumption (W)	200	230
Voltage 230V 50Hz single-phase (A) (Consult other options)	0.9	1,1
Cooling capacity (Room temp.: 30°C, Input temp.: 27°C, Output temp.: 17°C) (l/h)	35	50
Water output speed (l/h)	60	360
Water tank capacity (l) (Optional: Stainless steel cooling system. Direct chill)	4.5	7,5
Cold water output temperature (Regulated by thermostat) (°C)	4-11	4-11
Refrigerant gas (CFC-free)	R-134a	R-134a
Dimensions (mm). Height x Width x Depth. Model with LV: +210 mm	1030 x 360 x 360	1390 x 350 x 350
Net weight (kg) / M-6APEMV	26/40	31

Series 8

Great capacity to fill bottles.

Flat top plate enables containers to sit comfortably. High capacity cold water tank. High swan-neck filler for easy filling of larger containers. Easily regulated cold water temperature (thermostat).