



*Canaletas*  
SOURCE OF LIFE

*Canaletas*  
SOURCE OF LIFE



Series 4

# Series 4

## Drinking fountains.

Wall mounted design, attached at any height.

*Made entirely from A-304 stainless steel, including the internal chassis.*



Internal chassis  
**WARRANTY**

### Series 4

Ideal for education centres, as the height can be adapted to suit students' ages.

Great hygienic protection through the special shell with anti-vandalism shield. The water jet height can be easily regulated using the high precision membrane valve. Greater hygiene since the push button is separate from the water jet. Easily regulated cold water temperature (thermostat). There is also the possibility to drink with cups for the models with cup fillers.

#### Models

##### M-4A

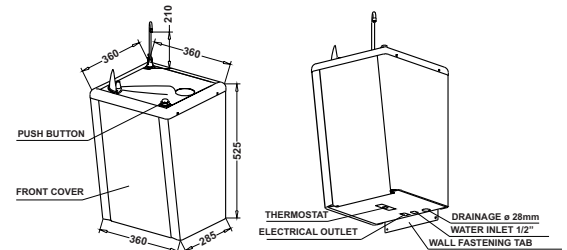
- Cold water jet.
- Push button.

##### M-4ALV

- Cold water jet.
- Push button.
- Cup filler.

##### M-4ASF (ideal for children)

- No cooling system.
- Room temp. water jet.
- Push button.



Installation by means of three basic connection points.

The installation of a purification filter is highly recommended for better water quality.

#### Accessories

There is a specific catalogue for filters.



#### PURIFICATION FILTERS :

It is recommended to install an activated carbon purifying filter to obtain water in optimal condition. Consult options.



Model: M-4A / M-4ASF



Model: M-4ALV

#### Technical data

#### Series 4

Cooling Power (W)	350
Power consumption (W)	200
Voltage 230V 50Hz single-phase (A) (Consult other options)	0.9
Cooling capacity (Room temp.: 30°C, Input temp.: 27°C, Output temp.: 17°C) (l/h)	30
Water output speed (l/h)	60
Cold water output temperature (Regulated by thermostat) (°C)	4-11
Water tank capacity (l) (Optional: Stainless steel cooling system. Direct chill)	4.5
Refrigerant gas (CFC-free)	R-134a
Net weight (kg)	23



#### HEADQUARTERS AND FACTORY

Ronda de Llevant, 10  
08820 El Prat de Llobregat  
Barcelona (Spain)  
T. +34 934 358 546  
F. +34 934 350 604

#### INTERNET

[www.canaletas.es](http://www.canaletas.es)  
[www.canaletas.com](http://www.canaletas.com)  
[info@canaletas.es](mailto:info@canaletas.es)

**Canaletas**  
SOURCE OF LIFE

*Canaletas*  
SOURCE OF LIFE



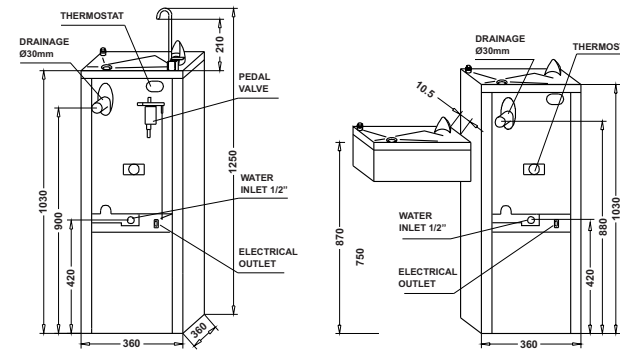
Series 6

# Series 6

## Drinking fountains.

Offer the most durability, robustness and economical use.

Superior quality, made entirely from A-304 stainless steel, including the internal chassis.



Installation by means of three basic connection points.

The installation of a purification filter is highly recommended for better water quality.



Internal chassis  
**WARRANTY**



**M-66A**

- Jet with three water temps.:
- Pedal: Cold.
- Push button: Room temp.
- Pedal + button: Mixed.

## Series 6

High quality drinking fountains with many application possibilities. Leader in sales.

Larger dimensions that provide high stability and durability. Possibility to install the GAC filter on the inside for a more compact installation. Great hygienic protection through a special shell with anti-vandalism shield. The water jet height can be easily regulated using the high precision membrane valve. Greater hygiene since the push button is separate from the water jet. Easily regulated cold water temperature (thermostat). There is also the possibility to drink with cups for the models with cup fillers (LV models).

### Models



**M-66ALV**

- Jet with three water temps.:
- Pedal: Cold.
- Push button: Room temp.
- Pedal + button: Mixed.
- Cup filler.



**M-6APU**

- Cold water jet.
- Push button.



**M-6APULV**

- Cold water jet.
- Push button.
- Cup filler.



**M-6APE**

- Cold water jet.
- Pedal.

**M-2APE**

- Room temp. water.
- Pedal.



**M-6APELV**

- Cold water jet.
- Pedal.
- Cup filler.



**M-6AOP**

- Cold water jet.
- Proximity sensor.



**M-6APUMV** (Special model for the disabled)

- Cold water jet.
- Free standing fountain: push button.
- Disable MV Accessory: proximity sensor.

### Accessories

There is a specific catalogue for filters.



**PURIFICATION FILTERS :**

It is recommended to install an activated carbon purifying filter to obtain water in optimal condition. Consult options.

### Technical data

	Series 6
Cooling Power (W)	400
Power consumption (W)	200
Voltage 230V 50Hz single-phase (A) (Consult other options)	0.9
Cooling capacity (Room temp.: 30°C, Input temp.: 27°C, Output temp.: 17°C) (l/h)	35
Water output speed (l/h)	60
Water tank capacity (l) (Optional: Stainless steel cooling system. Direct chill)	4.5
Cold water output temperature (Regulated by thermostat) (°C)	4-11
Refrigerant gas (CFC-free)	R-134a
Net weight (kg)	26

*Canaletas*  
SOURCE OF LIFE



Series 6RO

# Series 6RO

## Drinking fountains.

Perfect combination of elegance and practical design.

*Made entirely from A-304 stainless steel, including the internal chassis.*



Internal chassis  
**WARRANTY**

### Series 6RO

When the benefits of a durable drinking fountain with an elegant design are required.

Elegant circular top plate structure with an attractive design. Hygienic water jet outlet protection. Easily regulated cold water temperature (thermostat). There is also the possibility to drink with cups for the models with cup fillers (LV models).

#### Models

##### M-6ARO

- Cold water jet, push button.

##### M-6AROLV

- Cold water jet, push button.

- Cup filler

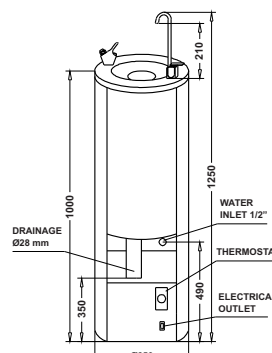
##### M-2ARO

- No cooling system.

- Room temp. water jet, push button

#### Technical data

	Series 6RO
Cooling Power (W)	350
Power consumption (W)	200
Voltage 230V 50Hz single-phase (A) (Consult other options)	0.9
Cooling capacity (Room temp.: 30°C, Input temp.: 27°C, Output temp.: 17°C) (l/h)	30
Water output speed (l/h)	60
Cold water output temperature (Regulated by thermostat) (°C)	4-11
Water tank capacity (l) (Optional: Stainless steel cooling system. Direct chill)	4.5
Refrigerant gas (CFC-free)	R-134a
Net weight (kg)	28



Installation by means of three basic connection points.

The installation of a purification filter is highly recommended for better water quality.

#### Accessories

There is a specific catalogue for filters.



##### PURIFICATION FILTERS :

It is recommended to install an activated carbon purifying filter to obtain water in optimal condition. Consult options.



Model: M-6ARO



#### HEADQUARTERS AND FACTORY

Ronda de Llevant, 10  
08820 El Prat de Llobregat  
Barcelona (Spain)  
T. +34 934 358 546  
F. +34 934 350 604

#### INTERNET

www.canaletas.es  
www.canaletas.com  
info@canaletas.es

**Canaletas**  
SOURCE OF LIFE

*Canaletas*  
SOURCE OF LIFE



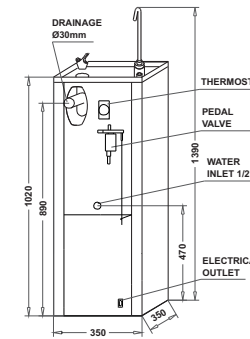
Series 8

# Series 8

## Drinking fountains

Great cold water flow, thanks to its superior refrigeration power.

Made entirely from A-304 stainless steel, including the internal chassis.



Installation by means of three basic connection points,

The installation of a purification filter is highly recommended for better water quality.

**Canaletas**  
SOURCE OF LIFE



Internal chassis  
**WARRANTY**

### Series 8

Great capacity to fill recipients such as water bottles, pitchers or for up to 50 people to drink without interruption.

Flat top plate enables containers to sit comfortably.

High swan-neck filler for easy filling of larger containers.

Hygienic water jet outlet protection.

Easily regulated cold water temperature (thermostat).

All models with swan-neck filler.

### Models

#### M-88AFO

- Swan-neck operated with push button for cold water.
- Jet with three temperatures:  
Pedal: Cold water.  
Push button: Room temp. water.  
Pedal + button: Mixed water.



#### M-88A

- Swan-neck operated with push button for cold water.
- Cold water jet, push button.



#### M-8A

- Swan-neck operated with push button for cold water.
- Not cold water jet.

### Accessories

There is a specific catalogue for filters.



#### PURIFICATION FILTERS :

It is recommended to install an activated carbon purifying filter to obtain water in optimal condition. Consult options.

### Technical data

	Series 8
Cooling Power (W)	600
Power consumption (W)	230
Voltage 230V 50Hz single-phase (A) (Consult other options)	1.1
Cooling capacity (Room temp.: 30°C, Input temp.: 27°C, Output temp.: 17°C) (l/h)	50
Water output speed (l/h)	360
Cold water output temperature (Regulated by thermostat) (°C)	4-11
Water tank capacity (l)	7.5
Refrigerant gas (CFC-free)	R-134a
Net weight (kg)	31

*Canaletas*  
SOURCE OF LIFE



Tanex

## Drinking fountains.

Basic and economical water fountain with all the essential features.

*Outside made from stainless or plastic coated steel, inside from anti-corrosion treated steel.*



T-6ALV

### Tanex

Designed for any budget, providing the essential basic requirements.

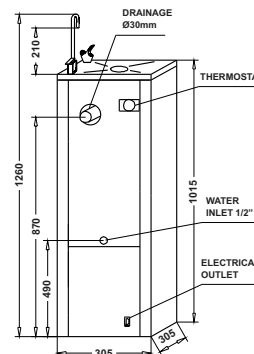
Several external finishes available.

Steel interior with anti-corrosion treatment.

Hygienic protection, push button and water jet in the same accessory.

Easily regulated cold water temperature (thermostat).

All models with cup filler (LV).



Installation by means of three basic connection points.

The installation of a purification filter is highly recommended for better water quality.

### Models

#### T-6ALV

- Stainless steel exterior.
- Cold water jet, push button.
- Cup filler

#### T-6PLV

- Cream colour, coated steel exterior.
- Cold water jet, push button.
- Cup filler.

#### T-7PLV

- Minimum order of 6 units.
- Grey colour, coated steel exterior.
- Static cooling system.
- Cold water jet, push button.
- Cup filler.



T-6PLV



T-7PLV

### Technical data

	T-6ALV	T-6PLV	T-7PLV
Cooling Power (W)	350	350	200
Power consumption (W)	200	200	100
Voltage 230V 50Hz single-phase (A) (Consult other options)	0.9	0.9	0.5
Cooling capacity	30	30	18
Water output speed (l/h)	60	60	50
Cold water output temperature (Regulated by thermostat) (°C)	4-11	4-11	4-11
Water tank (l) or stainless steel cooling system (Direct chill)	4.5	4.5	Yes
Refrigerant gas (CFC-free)	R-134a	R-134a	R-134a
Net weight (kg)	25	25	19

### Accessories

PURIFICATION FILTERS :



There is a specific catalogue for filters.



**HEADQUARTERS AND FACTORY**  
Ronda de Llevant, 10  
08820 El Prat de Llobregat  
Barcelona (Spain)  
T. +34 934 358 546  
F. +34 934 350 604

**INTERNET**  
[www.canaletas.es](http://www.canaletas.es)  
[www.canaletas.com](http://www.canaletas.com)  
[infox@canaletas.es](mailto:infox@canaletas.es)

**Canaletas**  
SOURCE OF LIFE

*Canaletas*  
SOURCE OF LIFE

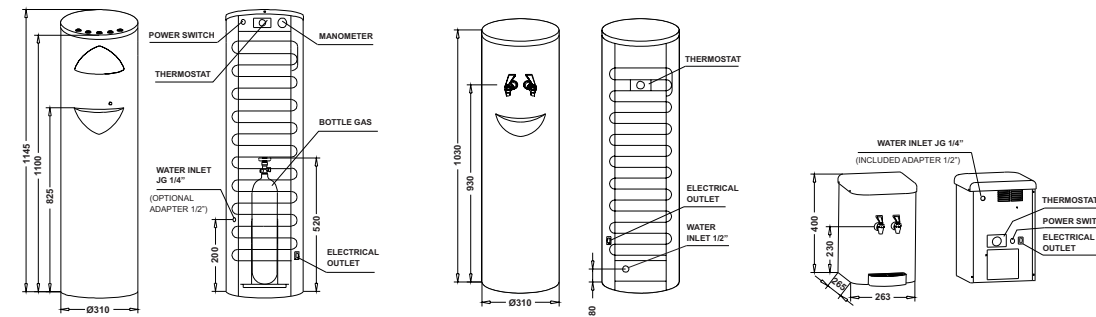


Series ID

# Series ID

## Point of use (POU) water coolers. Superior quality, elegant design and easy to install.

Made entirely from stainless steel, only requires water supply and electrical connection.



**Canaletas**  
SOURCE OF LIFE



Model: M-992GID

In models with sparkling water: pressure gauge indicating the remaining CO<sub>2</sub>.

### Series 9ID

Electronic, elegant... sparkling water optional.  
The top of the range water cooler.

Exclusive and elegant design, created for more demanding environments. Electronically operated with different coloured illuminated buttons to easily select the desired water. Sparkling water models available. Improved hygiene, as taps are covered and separated from the buttons, avoiding contact by different users. Locking system and audible alarm if the drip-tray is full, to prevent water spills. Greater height for more ergonomical use. Stainless steel coil, direct chill cooling system; high efficiency and hygienic. Easily regulated cold water temperature (thermostat).

#### Models

##### M-991D

- Two buttons: cold and room temp. water.

##### M-992ID

- Four buttons: cold, room temp., hot and safety hot water.

##### M-99GID

- Three buttons: cold, room temp. and sparkling water.

##### M-992GID

- Five buttons: cold, room temp., hot, safety hot and sparkling water.

#### Optional accessories



##### CUP DISPENSER

Made entirely from stainless steel. Vertical column design. High capacity: 95 x 220ml cups. Can be attached to POU water coolers or to the wall. For Series 3, attachment to the wall is recommended. Viewing slot to see remaining cups in order to replace in time.

##### CUPS

220 ml capacity. Compatible with cup dispenser.

##### FILTERS

The installation of a purification filter or UV lamp is recommended for better water quality.

##### GAS BOTTLE

Refillable 2.5 kg bottle or single use 0.6 kg bottle.



### Series 7ID

Ideal cooler for any business or public environment. Leader in sales.

Attractive and elegant design. Mechanically operated with high reliability and durability. Stainless steel coil, direct chill cooling system; high efficiency and hygienic. Easily regulated cold water temperature (thermostat). With wheels to facilitate movement. M-72ID: Hot water model with a temperature of up to 90°C. Easy to remove high capacity drip-tray.

#### Models

##### M-77ID

- Cold tap.  
- Room temp. tap.

##### M-72ID

- Model with hot water to prepare tea, coffee, etc.  
- Cold tap.  
- Hot tap (temperature of up to 90°C)



### Series 3ID

Small tabletop water cooler, designed for consultation rooms, offices, meeting rooms, kitchens, etc.

With a compact design, to be placed on any surface. Stainless steel coil, direct chill cooling system; high efficiency and hygienic. Easily regulated cold water temperature (thermostat).

#### Model

##### M-33ID

- Room temp. tap.  
- Cold tap.

#### Technical data

	Series 9ID	Series 7ID	Series 3ID
Cooling Power (W)	205	205	186
Power consumption (W)	100	100	110
Voltage 230V 50Hz single-phase (A) (Consult other options)	0.5	0.5	0.6
Cooling capacity (Room temp.: 30°C, Input temp.: 27°C, Output temp.: 17°C) (l/h)	18	18	16
Cup filling time (sec.)	4	4	4
Water output temperature (regulated by thermostat) (°C)	4-11	4-11	4-11
Maximum hot water temperature (regulated by thermostat) (Mod.M-72ID) (°C)	90	90	-
Stainless steel coil cooling system (Direct chill)	Yes	Yes	Yes
Refrigerant gas (CFC-free)	R-134a	R-134a	R-134a
Net weight (kg)	18	16	14

*Canaletas*  
SOURCE OF LIFE



Series 01

# Series OI

## Reverse osmosis point of use (POU) water cooler.

With patented design reverse osmosis filtration integrated.

*Superior quality, made entirely from stainless steel.*



Model: M-77OI

## Series OI

### Integrated reverse osmosis system. Designed for the hardest water types.

The water cooler includes a high capacity filtration system that eliminates suspended solids and microorganisms to ensure the highest quality of pure water. It is recommended to use this filtration system in areas where the municipal water supply is of inferior quality and requires a higher capacity filter. Has the same features as model M77ID, but with an excess water drain from the osmosis filtering system.

### Model

#### M-77OI

- Cold water tap.
- Room temp. water tap.

#### INTEGRATED OSMOSIS SYSTEM IN M-77OI

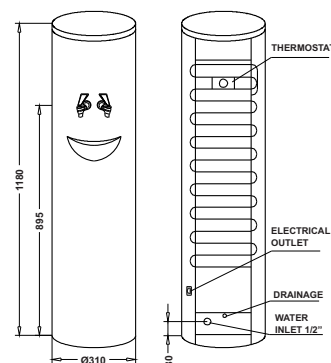
The compact design ensures reliable water flow avoiding the need for multiple connections or loss of water.

#### - Four Stage filtration with a pump

Guarantees higher water quality.

#### -High performance and high efficiency

High water production approx. 250l/day. High rate of input water use: 35%.



### Accessories



#### FILTERS

Reverse osmosis system made up of three filters and a reverse osmosis membrane, which must all be changed periodically.

CUP DISPENSER (optional)  
For easily accessible cups

CUPS  
220 cc capacity.



### Technical data

### Series OI

Cooling Power (W)	205
Power consumption (W)	100
Voltage 230V 50Hz single-phase (A) (Consult other options)	0.5
Cooling capacity (Room temp.: 30°C, Input temp.: 27°C, Output temp.: 17°C) (l/h)	18
Cup filling time (sec.)	4
Cold water output temperature (regulated by thermostat) (°C)	4-11
Refrigerant gas (CFC-free)	R-134a
Dimensions (diameter x height) cm	27 x 118
Net weight (kg)	19



#### HEADQUARTERS AND FACTORY

Ronda de Llevant, 10  
08820 El Prat de Llobregat  
Barcelona (Spain)  
T. +34 934 358 546  
F. +34 934 350 604

#### INTERNET

www.canaletas.es  
www.canaletas.com  
infox@canaletas.es

**Canaletas**  
SOURCE OF LIFE

*Canaletas*  
SOURCE OF LIFE



Minicool

# Minicool

## Under counter water cooler.

One of the most compact water coolers on the market.

*Superior quality, made entirely from A-304 stainless steel.*



Model: Minicool

### Optional accessories

#### Three way faucet MM



Elegant faucet that replaces the standard swan neck tap.

#### PURIFICATION FILTERS



There is a specific catalogue for filters.

## Minicool

Especially designed for homes or business coffee rooms.

It is installed under the sink, taking up very little room.

Always delivers cold and purified water immediately, without the hassle of having to store water in the refrigerator, where it may absorb unpleasant tastes or odours. Highly integrated design. Despite its small size, all the features of the larger water coolers are incorporated.

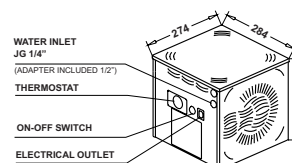
Easily regulated water temperature (thermostat).

It comes with a standard stainless steel tap that requires installation on the sink, or a special elegant three way faucet head to replace the existing faucet.

### Model

#### Minicool

- Cold water tap (standard equipment)
- Three way faucet tap (optional equipment)



The activated carbon purifying filter improves the quality and taste of water.



#### Standard Faucet

(Included with the minicool)

### Technical data

	Minicool
Cooling Power (W)	150
Power consumption (W)	110
Voltage 230V 50Hz single-phase (A) (Consult other options)	0.6
Cooling capacity (Room temp.: 30°C, Input temp.: 27°C, Output temp.: 17°C) (l/h)	13
Cup filling time (sec.)	4
Cold water output temperature (Regulated by thermostat) (°C)	4-11
Refrigerant gas (CFC-free)	R-134a
Dimensions (cm)	27 x 28 x 28
Net weight (kg)	9



#### HEADQUARTERS AND FACTORY

Ronda de Llevant, 10  
08820 El Prat de Llobregat  
Barcelona (Spain)  
T. +34 934 358 546  
F. +34 934 350 604

#### INTERNET

[www.canaletas.es](http://www.canaletas.es)  
[www.canaletas.com](http://www.canaletas.com)  
[info@canaletas.es](mailto:info@canaletas.es)

**Canaletas**  
SOURCE OF LIFE

*Canaletas*

SOURCE OF LIFE



Series J

# Series J

## Drinking fountains.

Fountain for any type of public or private garden.

*Superior quality, made entirely from A-304 stainless steel.*



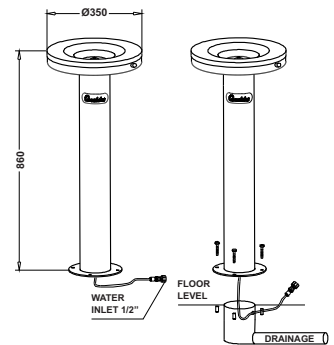
Model: M-2JRO

### Series J

Specially designed for outdoor use, such as public or private gardens or school grounds.

Highly robust, thanks to the thick stainless steel used in its construction.

Room temperature water, without refrigeration unit. Highly resistant and durable side push button.



### Models

#### M-2JRO

-Room temperature water jet operated by side push button.

#### Two heights:

#### M-2JRO 86

- Standard. Height: 860 mm.

#### M-2JRO 56

- For children. Height: 560 mm.



HEADQUARTERS AND FACTORY  
Ronda de Llevant, 10  
08820 El Prat de Llobregat  
Barcelona (Spain)  
T. +34 934 358 546  
F. +34 934 350 604

INTERNET  
[www.canaletas.es](http://www.canaletas.es)  
[www.canaletas.com](http://www.canaletas.com)  
[info@canaletas.es](mailto:info@canaletas.es)

**Canaletas**  
SOURCE OF LIFE

*Canaletas*  
SOURCE OF LIFE



Series 1-3-7

# Series 1- 3 - 7

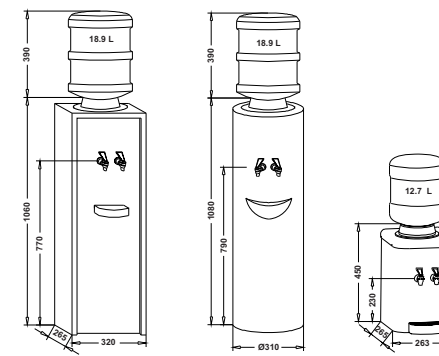
## Water coolers with bottles

Superior quality and easy placement.

*Made entirely from stainless steel.*

*Possibility to use different types of bottles.*

**Canaletas**  
SOURCE OF LIFE



Only requires electrical connection.



Modelo: M-77

### Series 7

Ideal for any business or environment.  
Leader in sales.

Attractive and elegant design.

Easily regulated cold water temperature (thermostat).

Easy to remove high capacity drip tray Rear wheels to facilitate relocation

#### Models

##### M-77

- Cold tap.
- Room temperature tap.

##### M-72

Model with hot water for preparing tea, coffee, etc.

- Cold tap.
- Hot tap (temperature up to 90°C).

#### Optional accessories



##### CUP DISPENSER

Made entirely from stainless steel. Vertical column design. High capacity: 95 x 220ml cups. Can be attached to water coolers or to the wall. For Series 3, attachment to the wall is recommended. Viewing slot to see remaining cups.

##### CUPS

220ml plastic cups. Compatible with cup dispenser.

##### BOTTLES

Reusable bottles. Enable the use of the desired brand of water. Bottles of 12.7 or 18.9 litres. The 12.7 litre bottle is recommended for series 3 due to its smaller size.



### Series 1

Superior refrigeration capacity, for up to 40 - 50 users.

Rectangular design for greater durability.

Easily regulated cold water temperature (thermostat).

Easy to remove drip tray.

#### Model

##### M-15

- Cold tap.
- Room temperature tap.



### Series 3

Small tabletop cooler, ideal for consultation rooms, offices, kitchens, etc.

Made to be used with smaller bottles in order to save space and provide better convenience. Easily regulated cold water temperature (thermostat). Easy to remove drip tray.

#### Model

##### M-33

- Cold tap.
- Room temperature tap.

#### Technical data

	Series 7	Series 1	Series 3
Cooling Power (W)	205	250	205
Power consumption (W)	100	110	100
Voltage 230V 50Hz single-phase (A) (Consult other options)	0.5	0.6	0.5
Cooling capacity (Room temp.: 30°C, Input temp.: 27°C, Output temp.: 17°C) (l/h)	18	24	18
Cup filling time (sec.)	6	6	6
Water output temperature (regulated by thermostat) (°C)	4-11	4-11	4-11
Maximum hot water temperature (Mod. M-72) (°C)	90	-	-
Water tank capacity (l)	3.5	3.5	2.6
Refrigerant gas (CFC-free)	R-134a	R-134a	R-134a
Net weight (kg)	15,5	20	13